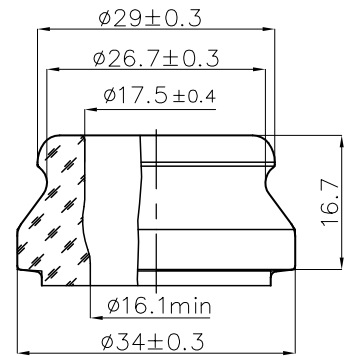
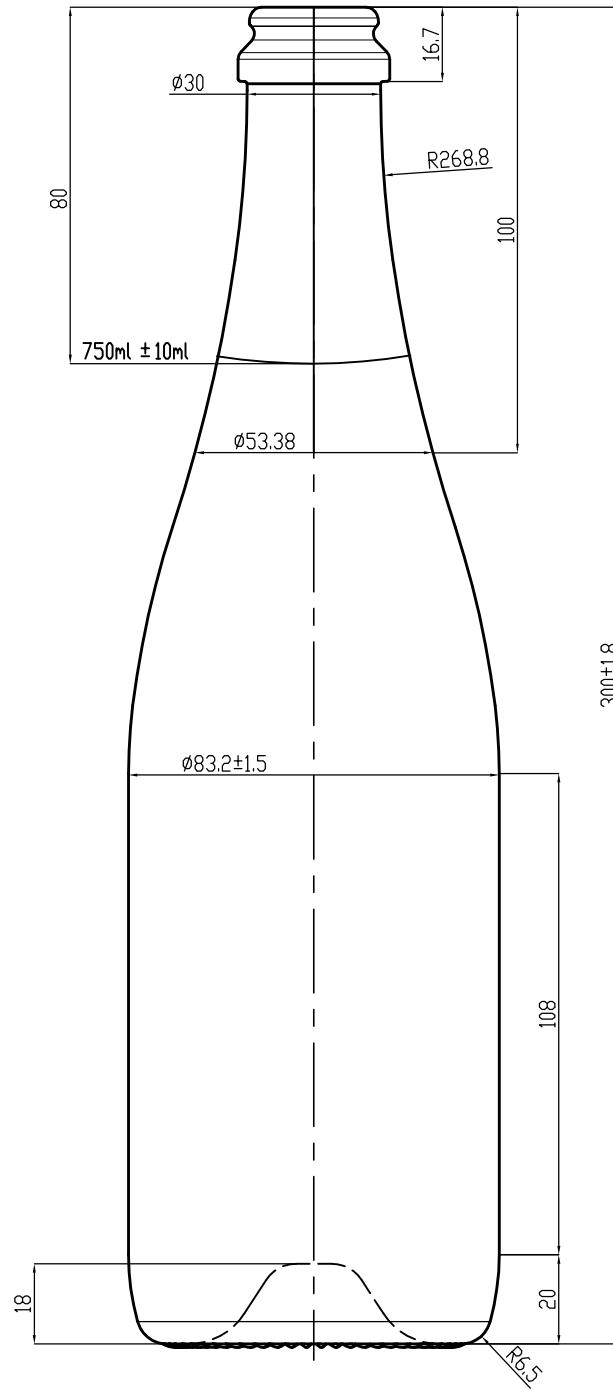


CHAMPAGNE 87



KMC
G L A S S



- ⌘ Champagne 87

- ⌘ Weight - 705 g

- ⌘ Filling CAP - 750 ± 10 ml

- ⌘ Color - Olive Green; Flint

- ⌘ Diameter - 83.2 ± 1.5

- ⌘ Entrance bore diameter - 17.5

www.kmc.glass
sales@kmc.glass